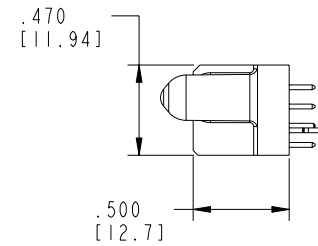
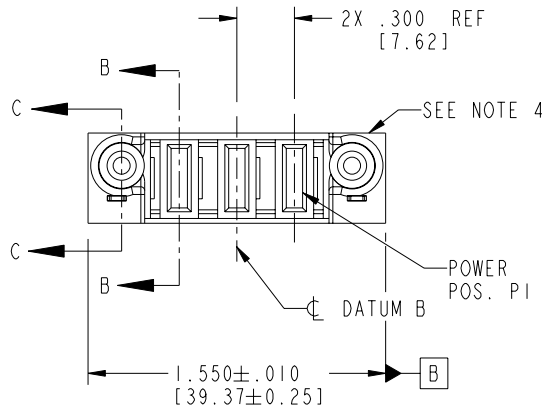


Tous droits strictement reserves. Reproduction ou communication a des tiers interdite sous quelque forme que ce soit sans autorisation écrite du propriétaire. Propriete de c FCI. Droits de reproduction FCI.



All rights strictly reserved. Reproduction or issue to third parties in any form whatever is not permitted without written authority from the proprietor. Property of FCI. Copyright FCI.

|                        |       |    |    |    |    |
|------------------------|-------|----|----|----|----|
| PRODUCT NO.            | POWER |    |    |    |    |
|                        | E2    | P3 | P2 | P1 | E1 |
| 51816-001--<br>NOTE: ③ |       |    |    |    |    |



| CODE | DIM "M"<br>MATING<br>LENGTH | CONTACT<br>TYPE |
|------|-----------------------------|-----------------|
| PA   | .042 [1.07]                 | POWER           |
| PD   | .092 [2.34]                 | POWER           |
| HA   | N/A [N/A]                   | HOLD-DOWN       |

|             |                |     |          |            |                            |                                       |            |          |                        |                        |        |
|-------------|----------------|-----|----------|------------|----------------------------|---------------------------------------|------------|----------|------------------------|------------------------|--------|
| mat'l code  |                |     |          | SEE NOTE 2 |                            | tolerances unless otherwise specified |            | CUSTOMER |                        | <br>www.fciconnect.com |        |
| ltr         | ecn no.        | dr  | date     | linear     | .XX ± .01/0.X ± 0.3        |                                       | COPY       |          | title                  |                        |        |
| A           | V10970         | CGD | 03/05/01 |            | .XXX ± .005/0.XX ± 0.13    |                                       | projection |          | 3ACP                   |                        |        |
| B           | V03-1324       | TAB | 12/12/03 |            | .XXX ± .0020/0.XXX ± 0.051 |                                       |            |          | VERTICAL SOLDER RECEPT |                        |        |
| C           | DG05-0295      | CS  | 08/25/05 | angles     | 0° ± 2°                    |                                       |            |          | product family         |                        | code   |
|             |                |     |          | dr         | C. DAILY                   | 03/05/01                              | INCH/MM    |          | PwrBlade               |                        | 213    |
|             |                |     |          | engr       | J. DODDS                   | 03/05/01                              | scale      |          | size                   |                        | sheet  |
|             |                |     |          | chr        | J. DODDS                   | 03/05/01                              | 1:1        |          | A 51816-001            |                        | 1 of 4 |
|             |                |     |          | appd       | J. DODDS                   | 03/05/01                              |            |          |                        |                        |        |
| sheet index | revision sheet | C   | C        | C          | C                          |                                       |            |          |                        |                        |        |
|             |                | 1   | 2        | 3          | 4                          |                                       |            |          |                        |                        |        |

Pro/E

cage code 22526

PDM: Rev:C

STATUS: Released

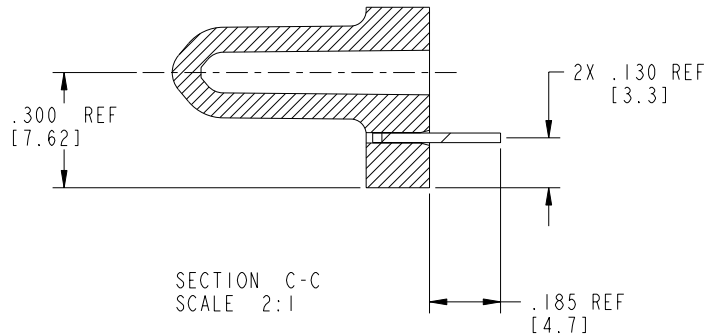
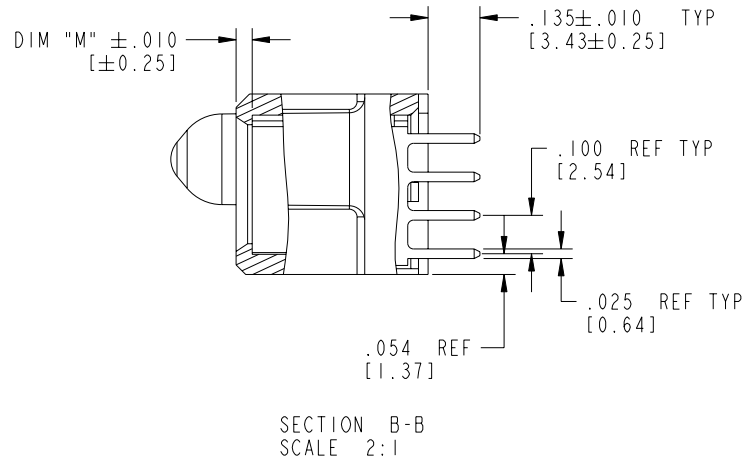
Printed: Aug 14, 2007


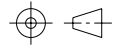

Tous droits strictement reserves. Reproduction ou communication a des tiers interdite sous quelque forme que ce soit sans autorisation écrite du propriétaire. Propriete de c FCI. Droits de reproduction FCI.

**FCI**

All rights strictly reserved. Reproduction or issue to third parties in any form whatever is not permitted without written authority from the proprietor. Property of FCI. Copyright FCI.

PRODUCT NUMBER  
51816-001--  
NOTE: ③



|             |         |                |      |                                       |                        |   |  |   |  |
|-------------|---------|----------------|------|---------------------------------------|------------------------|---|--|---|--|
| mat'l code  |         | SEE NOTE 2     |      | tolerances unless otherwise specified |                        | CUSTOMER  |  | <br><a href="http://www.fciconnect.com">www.fciconnect.com</a> |  |
| ltr         | ecr no. | dr             | date | linear                                | .XX±.01/0.X±0.3        | COPY  |  |   |  |
| C           |         |                |      | projection                            | .XXX±.005/0.XX±0.13    |  |  | title<br>3ACP<br>VERTICAL SOLDER RECEIPT  |  |
|             |         |                |      | angles                                | .XXX±.0020/0.XXX±0.051 |  |  | product family<br>PwrBlade  |  |
|             |         |                |      | dr                                    | C. DAILY 03/05/01      | INCH/MM   |  | code<br>213   |  |
|             |         |                |      | enr                                   | J. DODDS 03/05/01      | scale<br>1:1  |  | size<br>A   |  |
|             |         |                |      | chr                                   | J. DODDS 03/05/01      |   |  | dwg no<br>51816-001   |  |
|             |         |                |      | appd                                  | J. DODDS 03/05/01      |   |  | sheet<br>2 of 4   |  |
| sheet index |         | revision sheet |      |                                       |                        |   |  |   |  |

cage code 22526

Pro/E

PDM: Rev:C

STATUS: Released

Printed: Aug 14, 2007

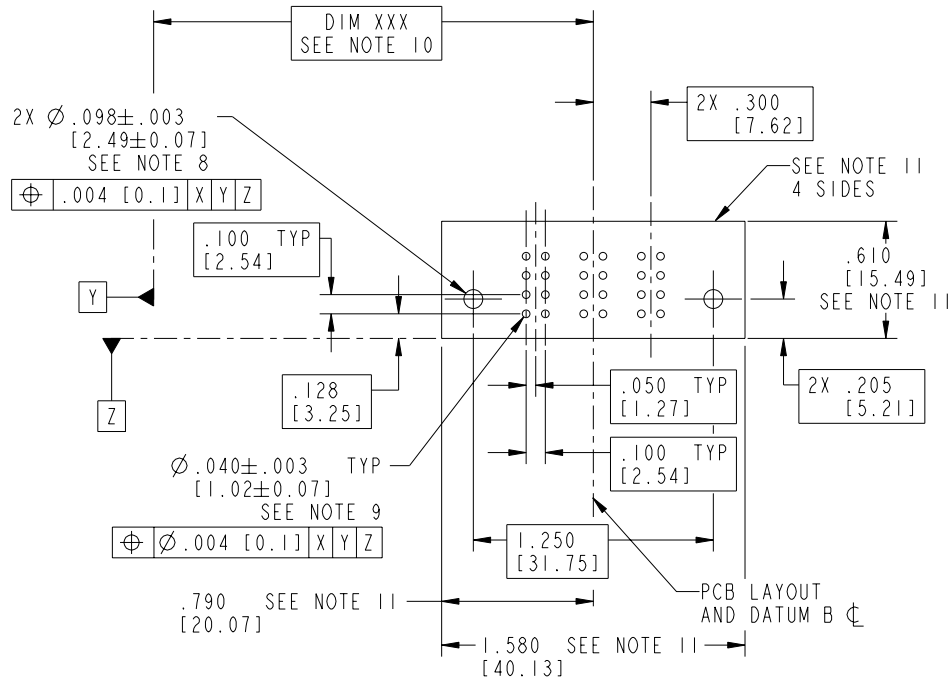
Tous droits strictement reserves. Reproduction ou communication a des tiers interdite  
sous quelque forme que ce soit sans autorisation écrite du propriétaire.  
Propriete de c FCI. Droits de reproduction FCI.

**A**  
**FCI**

All rights strictly reserved. Reproduction or issue to third parties in any  
form whatever is not permitted without written authority from the proprietor.  
Property of FCI. Copyright FCI.

**B**

PRODUCT NUMBER  
51816-001\_\_  
NOTE: ③



|             |                |            |      |                                       |                            |          |                         |                         |            |
|-------------|----------------|------------|------|---------------------------------------|----------------------------|----------|-------------------------|-------------------------|------------|
| mat'l code  |                | SEE NOTE 2 |      | tolerances unless otherwise specified |                            | CUSTOMER |                         | <br>www.fciconnect.com  |            |
| ltr         | ecr no.        | dr         | date | linear                                | .XX ± .01/0.X ± 0.3        |          | projection              | COPY                    |            |
| C           |                |            |      |                                       | .XXX ± .005/0.XX ± 0.13    |          |                         |                         | title 3ACP |
|             |                |            |      | angles                                | .XXX ± .0020/0.XXX ± 0.051 |          | VERTICAL SOLDER RECEIPT |                         |            |
|             |                |            |      | dr                                    | C. DAILY                   | 03/05/01 | INCH/MM                 | product family PwrBlade |            |
|             |                |            |      | engr                                  | J. DODDS                   | 03/05/01 |                         | code 213                |            |
|             |                |            |      | chr                                   | J. DODDS                   | 03/05/01 | scale 1:1               | size 51816-001          |            |
|             |                |            |      | appd                                  | J. DODDS                   | 03/05/01 |                         | sheet 3 of 4            |            |
| sheet index | revision sheet |            |      |                                       |                            |          |                         |                         |            |

cage code 22526

Pro/E

3

4

**PDM: Rev:C**

**STATUS: Released**

Printed: Aug 14, 2007

Tous droits strictement réservés. Reproduction ou communication a des tiers interdite sous quelque forme que ce soit sans autorisation écrite du propriétaire. Propriété de c FCI. Droits de reproduction FCI.

**A** **FCI**

All rights strictly reserved. Reproduction or issue to third parties in any form whatever is not permitted without written authority from the proprietor. Property of FCI. Copyright FCI.

**B**

PRODUCT NUMBER  
51816-001--  
NOTE: ③

NOTES:

1. DIMENSIONS AND TOLERANCES ARE IN ACCORDANCE WITH ASME Y14.5M, 1994 UNLESS OTHERWISE SPECIFIED.

CONNECTOR NOTES:

② HOUSING MATERIAL: UL 94 V-0 GLASS FILLED  
HIGH-TEMP THERMOPLASTIC  
POWER CONTACT MATERIAL: COPPER ALLOY  
SIGNAL PIN MATERIAL: COPPER ALLOY

3. PLATING:  
51816-001 Singal Pin:30u"/0.76um Au OVER 50u"/1.27um Ni ON THE CONTACT AREA,  
AND 100u"/2.54um SnPb PLATING OVER 50u"/1.27um Ni ON THE TERMINATION SECTION.  
Power Pin:30u"/0.76um Au OVER 50u"/1.27um Ni ON THE CONTACT AREA,  
AND 100u"/2.54um SnPb PLATING OVER 50u"/1.27um Ni ON THE TERMINATION SECTION.  
51816-001LF Singal Pin:30u"/0.76um Au OVER 50u"/1.27um Ni ON THE CONTACT AREA,  
AND 78u"/2.00um Sn PLATING OVER 50u"/1.27um Ni ON THE TERMINATION SECTION.  
Power Pin:30u"/0.76um Au OVER 50u"/1.27um Ni ON THE CONTACT AREA,  
AND 78u"/2.00um Sn PLATING OVER 50u"/1.27um Ni ON THE TERMINATION SECTION.

PART NUMBER 51816-001LF MEETS EUROPEAN UNION DIRECTIVE AND OTHER COUNTRY REGULATIONS AS DESCRIBED IN GS-22-008.

THE HOUSING WILL WITHSTAND EXPOSURE TO 260° PEAK TEMPERATURE FOR 10 SECONDS IN A WAVE SOLDER APPLICATION WITH A CIRCUIT BOARD.

④ MANUFACTURER'S NAME, P/N, AND DATE CODE TO APPEAR ON THIS SURFACE.

5. PRODUCT SPECIFICATION GS-12-149.  
APPLICATION SPECIFICATION BUS-20-067.

6. PACKAGED IN TRAYS.

PCB NOTES:


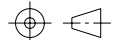

7. ALL HOLE DIAMETERS ARE FINISHED HOLE SIZE.

⑧ MOUNTING HOLES, WHERE APPLICABLE, ARE UNPLATED.

⑨ Ø.0453±.0010 [1.151±0.025] DRILLED HOLES PLATED WITH .0003 [0.008] MIN SnPb OVER .001 [0.03] TO .003 [0.08] Cu PLATING TO ACHIEVE Ø.040±.003 [1.02±.07] HOLE.

⑩ "DIM XXX" TO BE DETERMINED BY THE CUSTOMER.

⑪ CONNECTOR KEEP-OUT ZONE.

|             |                |            |          |                                       |                        |   |                |  |        |
|-------------|----------------|------------|----------|---------------------------------------|------------------------|---|----------------|--|--------|
| mat'l code  |                | SEE NOTE 2 |          | tolerances unless otherwise specified |                        | CUSTOMER  |                | <br><b>FCI</b> www.fciconnect.com |        |
| ltr         | ecn no.        | dr         | date     | linear                                | .XX±.01/0.X±0.3        | COPY  |                |  |        |
| C           |                |            |          | projection                            | .XXX±.005/0.XX±0.13    |  |                | title  | 3ACP   |
|             |                |            |          | angles                                | .XXX±.0020/0.XXX±0.051 |  |                | VERTICAL SOLDER RECEPT   |        |
|             |                | dr         | C. DAILY | 03/05/01                              | INCH/MM                |   | product family | PwrBlade   | code   |
|             |                | engr       | J. DODDS | 03/05/01                              | scale                  |   | size           | dwg no   | 213    |
|             |                | chr        | J. DODDS | 03/05/01                              | 1:1                    |   | A              | 51816-001  | sheet  |
|             |                | appd       | J. DODDS | 03/05/01                              |                        |   |                |  | 4 of 4 |
| sheet index | revision sheet |            |          |                                       |                        |   |                |  |        |

1 | 2

Pro/E

3 |

cage code 22526

4